

Steel Roller Shutters



Attractive Interlocking Galvanised Steel Slats

Exclusive Nylon End Clips

Perforated Slats offer 35% free air ventilation

Individual Door Spring Design

Wide Range of Operating Options

Steel Roller Shutters



Perforated Shutter door, inside view looking out.

Curtain

Constructed from continuously cold rolled interlocking slats with effective 100mm width. Nylon end clips shall be fitted to alternate slats to prevent lateral movement and provide smooth quiet operation. Greasing of guides (excluding windlock guides) is not necessary.

Bottom Rail

Shall be fitted to the lowest curtain slat. Mill finish aluminium extrusion with underside weatherseal as standard. On doors over 6.5 metres wide a steel section is added for greater strength.

Guides

Galvanised cold rolled steel channel to a minimum 75mm depth. Guides of 100mm depth available. Where required 100mm windlock guides incorporating a windlock bar are supplied.

Drum

Shall be steel tube of 150mm diameter with a wall of sufficient thickness to minimise deflection, housing helical steel torsion counterbalance springs.

Brackets

Shall be fabricated from 8mm mild steel plate and slotted to accommodate shaft and chain or motor mounting.

Operation

Shall be either manual geared chain hoist or electrically operated.

Motorised doors are supplied with a 3-phase .75KW (1HP) motor with fully enclosed gearbox, self contained limit switches, emergency hand chain and push button reversing starter.

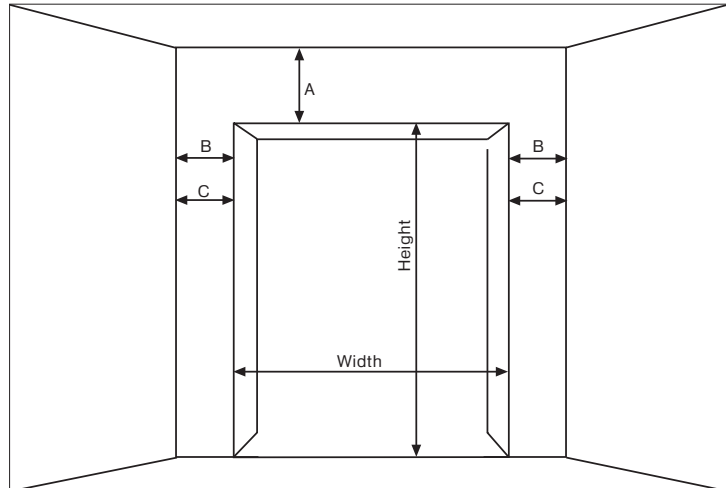
Finish

Door curtain and guides are galvanised as standard and all other components metal primed.

Options

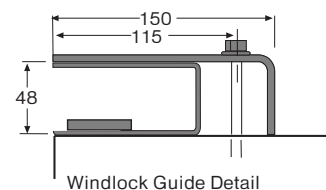
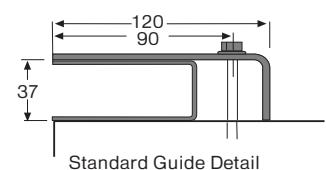
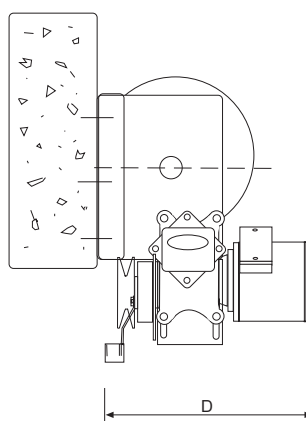
Powdercoat colour finish, perforated slats, wicket gates, mullions, high cycle doors and motors. Door control options: - remote control, key switches and key pads.

Specifications and Clearance details



Opening Height (UP TO)	Clearance - Standard 75mm Guides (All Dimensions in mm)						
	Recomm Headroom A	Non-Drive Side B	Chain Side (inside Mnt) C	Chain Side (outside Mnt) C	Motor Side (inside Mnt) C	Motor Side (outside Mnt) C	Motor (Projection) D
2500	560	180	200	250	200	450	450*
3500	580	180	200	310	200	450	450*
4500	600	180	200	310	200	450	450*
5500	610	180	200	310	200	450	450
6500	620	180	—	—	200	450	—
Windlock Guides (add)	25	45	45	45	45	45	—

NOTE: * Continuous Rated Motors 530mm



RDN reserves the right to alter specifications without notice and without incurring obligation.

